

# 变频·永磁 同步电机系统

Variable Frequency Permanent Magnet Synchronous Motors System



安徽皖南电机股份有限公司  
ANHUI WANNAN ELECTRIC MACHINE CO., LTD

## TYCP系列超高效率三相变频永磁同步电动机

TYCP Series Premium-Efficiency Three Phase Variable Frequency Permanent Magnet Synchronous Motors

### 产品概述 Product profile

机座号：80~355

功率：0.55~375kW

工作制：S1

冷却方式：IC411 (≥55kW, 3000rpm电机为IC416)

能效等级：中国GB30253-2013 1级

TYCP132S1 — 8 — 30



**用于：**需要连续节能运行的一般使用场所，如机床、风机、水泵、运输机械、轻工机械等。

Applications: Energy saving applications where continuous of frequent duty is required, like machines, pumps, fans, conveyors, or light industry machinery etc.

**特点：**T代表同步，YC代表永磁，P代表风机水泵或一般型负载。高效节能(效率符合GB30253-2013中规定的1级能效)，F级绝缘，防护等级为IP55，噪声低、振动小，配合WN90T系列变频器，可满足多种工况下稳定运行。

Features: T means for synchronous, YC for permanent magnet, and P for the general driven load. The series motors have many virtues: beautiful profile, high efficiency and energy saving, F insulation, IP55 protection, low noise, little vibration, reliable running. Operating with WN90T inverter, the motor can be applied in various condition.

### 性能数据 Performance Data

380V

型号 Type	功率 kW	额定 电流 A	额定 转速 r/min	效率 Eff. %	功率 因数 P.F	额定 转矩 N.m	噪声 dB (A)	冷却 方式 Cooling	适配变频器 Inverter
同步转速3000 r/min 额定频率 200Hz									
TYCP80M1-8-30	0.75	1.35	3000	88.6	0.95	2.39	62	IC411	WN90T-0.7G-4
TYCP80M2-8-30	1.1	1.96	3000	89.8	0.95	3.50	62		WN90T-0.7G-4
TYCP90S-8-30	1.5	2.64	3000	90.9	0.95	4.77	67		WN90T-1.5G-4
TYCP90L-8-30	2.2	3.83	3000	91.8	0.95	7.00	67		WN90T-2.2G-4
TYCP100L-8-30	3	5.18	3000	92.6	0.95	9.55	74		WN90T-3.7G-4
TYCP112M-8-30	4	6.86	3000	93.3	0.95	12.73	77		WN90T-3.7G-4
TYCP132S1-8-30	5.5	9.36	3000	94	0.95	17.51	79		WN90T-5.5G-4
TYCP132S2-8-30	7.5	12.69	3000	94.5	0.95	23.87	79		WN90T-7.5G-4
TYCP160M1-8-30	11	18.52	3000	95	0.95	35.01	81		WN90T-11G-4
TYCP160M2-8-30	15	25.17	3000	95.3	0.95	47.75	81		WN90T-15G-4
TYCP160L-8-30	18.5	30.95	3000	95.6	0.95	58.89	81		WN90T-18.5G-4
TYCP180M-8-30	22	36.69	3000	95.9	0.95	70.03	83		WN90T-22G-4

型号 Type	功率 kW	额定 电流 A	额定 转速 r/min	效率 Eff. %	功率 因数 P.F	额定 转矩 N.m	噪声 dB (A)	冷却 方式 Cooling	适配变频器 Inverter
同步转速3000 r/min 额定频率 200Hz									
TYCP200L1-8-30	30	49.93	3000	96.1	0.95	95.49	84	IC411	WN90T-30G-4
TYCP200L2-8-30	37	61.45	3000	96.3	0.95	117.8	84		WN90T-37G-4
TYCP225M-8-30	45	74.66	3000	96.4	0.95	143.2	86		WN90T-45G-4
TYCP250M-8-30	55	91.15	3000	96.5	0.95	175.1	89	IC416	WN90T-55G-4
TYCP280S-8-30	75	124.2	3000	96.6	0.95	238.7	91		WN90T-75G-4
TYCP280M-8-30	90	148.9	3000	96.7	0.95	286.5	91		WN90T-90G-4
TYCP315S-8-30	110	183.3	3000	96	0.95	350.1	92		WN90T-110G-4
TYCP315M-8-30	132	219.9	3000	96	0.95	420.2	92		WN90T-132G-4
TYCP315L1-8-30	160	266.0	3000	96.2	0.95	509.3	92		WN90T-160G-4
TYCP315L-8-30	185	307.6	3000	96.2	0.95	588.9	92		WN90T-185G-4
TYCP315L2-8-30	200	332.2	3000	96.3	0.95	636.6	92		WN90T-200G-4
TYCP315L3-8-30	220	365.4	3000	96.3	0.95	700.3	92		WN90T-220G-4
TYCP315L4-8-30	250	414.8	3000	96.4	0.95	795.8	92		WN90T-250G-4
TYCP355M1-8-30	220	365.4	3000	96.3	0.95	700.3	100		WN90T-220G-4
TYCP355M-8-30	250	414.8	3000	96.4	0.95	795.8	100		WN90T-250G-4
TYCP355L1-8-30	280	464.5	3000	96.4	0.95	891.3	100		WN90T-280G-4
TYCP355L-8-30	315	522.0	3000	96.5	0.95	1003	100		WN90T-315G-4
TYCP355L2-8-30	355	587.7	3000	96.6	0.95	1130	104		WN90T-350G-4
TYCP355L3-8-30	375	620.9	3000	96.6	0.95	1194	104	WN90T-400G-4	
同步转速 1500 r/min 额定频率 100Hz									
TYCP80M1-8-15	0.55	1.03	1500	85.6	0.95	3.50	56	IC411	WN90T-0.4G-4
TYCP80M2-8-15	0.75	1.40	1500	85.6	0.95	4.77	56		WN90T-0.7G-4
TYCP90S-8-15	1.1	2.01	1500	87.4	0.95	7.00	59		WN90T-0.7G-4
TYCP90L-8-15	1.5	2.72	1500	88.1	0.95	9.55	59		WN90T-1.5G-4
TYCP100L1-8-15	2.2	3.92	1500	89.7	0.95	14.01	64		WN90T-2.2G-4
TYCP100L2-8-15	3	5.31	1500	90.3	0.95	19.10	64		WN90T-3.7G-4
TYCP112M-8-15	4	7.04	1500	90.9	0.95	25.46	65		WN90T-3.7G-4
TYCP132S-8-15	5.5	9.55	1500	92.1	0.95	35.01	71		WN90T-5.5G-4
TYCP132M-8-15	7.5	12.95	1500	92.6	0.95	47.75	71		WN90T-7.5G-4
TYCP160M-8-15	11	18.80	1500	93.6	0.95	70.03	73		WN90T-11G-4
TYCP160L-8-15	15	25.52	1500	94	0.95	95.49	73		WN90T-15G-4
TYCP180M-8-15	18.5	31.38	1500	94.3	0.95	117.8	76		WN90T-18.5G-4
TYCP180L-8-15	22	37.15	1500	94.7	0.95	140.1	76		WN90T-22G-4
TYCP200L-8-15	30	50.50	1500	95	0.95	191.0	76		WN90T-30G-4
TYCP225S-8-15	37	62.09	1500	95.3	0.95	235.6	78		WN90T-37G-4
TYCP225M-8-15	45	75.28	1500	95.6	0.95	286.5	78		WN90T-45G-4
TYCP250M-8-15	55	91.82	1500	95.8	0.95	350.1	79		WN90T-55G-4
TYCP280S-8-15	75	125.0	1500	96	0.95	477.5	80		WN90T-75G-4
TYCP280M-8-15	90	149.6	1500	96.2	0.95	573.0	80		WN90T-90G-4
TYCP315S-8-15	110	182.5	1500	96.4	0.95	700.3	88		WN90T-110G-4
TYCP315M-8-15	132	218.8	1500	96.5	0.95	840.3	88	WN90T-132G-4	
TYCP315L1-8-15	160	265.2	1500	96.5	0.95	1019	88	WN90T-160G-4	

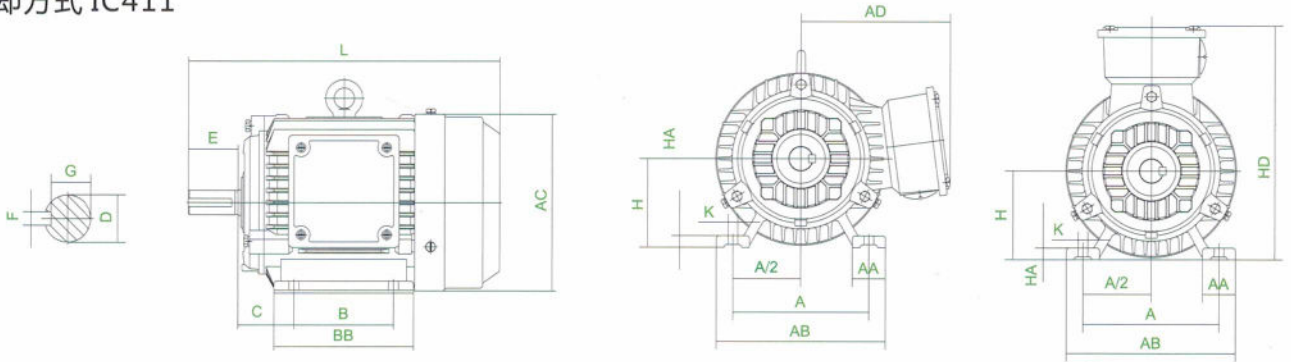
型号 Type	功率 kW	额定 电流 A	额定 转速 r/min	效率 Eff. %	功率 因数 P.F	额定 转矩 N.m	噪声 dB (A)	冷却 方式 Cooling	适配变频器 Inverter
同步转速 1500 r/min 额定频率 100Hz									
TYCP315L-8-15	185	306.6	1500	96.5	0.95	1178	88	IC411	WN90T-185G-4
TYCP315L2-8-15	200	331.1	1500	96.6	0.95	1273	88		WN90T-200G-4
TYCP315L3-8-15	220	364.2	1500	96.6	0.95	1400	88		WN90T-220G-4
TYCP315L4-8-15	250	413.5	1500	96.7	0.95	1592	88		WN90T-250G-4
TYCP355M1-8-15	220	364.2	1500	96.6	0.95	1401	95		WN90T-220G-4
TYCP355M-8-15	250	413.5	1500	96.7	0.95	1592	95		WN90T-250G-4
TYCP355L1-8-15	280	463.1	1500	96.7	0.95	1783	95		WN90T-280G-4
TYCP355L-8-15	315	520.4	1500	96.8	0.95	2005	95		WN90T-315G-4
TYCP355L2-8-15	355	586.5	1500	96.8	0.95	2260	102		WN90T-350G-4
TYCP355L3-8-15	375	619.6	1500	96.8	0.95	2387	102		WN90T-400G-4
同步转速 1000 r/min 额定频率 66.67Hz									
TYCP90S-8-10	0.75	1.37	1000	87.4	0.95	7.16	57	IC411	WN90T-0.7G-4
TYCP90L-8-10	1.1	1.98	1000	88.7	0.95	10.50	57		WN90T-0.7G-4
TYCP100L-8-10	1.5	2.67	1000	89.9	0.95	14.32	61		WN90T-1.5G-4
TYCP112M-8-10	2.2	3.87	1000	90.9	0.95	21.01	65		WN90T-2.2G-4
TYCP132S-8-10	3	5.23	1000	91.8	0.95	28.65	69		WN90T-3.7G-4
TYCP132M1-8-10	4	6.90	1000	92.7	0.95	38.20	69		WN90T-3.7G-4
TYCP132M2-8-10	5.5	9.42	1000	93.4	0.95	52.52	69		WN90T-5.5G-4
TYCP160M-8-10	7.5	12.76	1000	94	0.95	71.62	70		WN90T-7.5G-4
TYCP160L-8-10	11	18.62	1000	94.5	0.95	105.0	70		WN90T-11G-4
TYCP180L-8-10	15	25.17	1000	95.3	0.95	143.2	73		WN90T-15G-4
TYCP200L1-8-10	18.5	31.05	1000	95.3	0.95	176.7	73		WN90T-18.5G-4
TYCP200L2-8-10	22	36.80	1000	95.6	0.95	210.1	73		WN90T-22G-4
TYCP225M-8-10	30	50.08	1000	95.8	0.95	286.5	74		WN90T-30G-4
TYCP250M-8-10	37	61.64	1000	96	0.95	353.3	76		WN90T-37G-4
TYCP280S-8-10	45	74.81	1000	96.2	0.95	429.7	78		WN90T-45G-4
TYCP280M-8-10	55	91.34	1000	96.3	0.95	525.2	78		WN90T-55G-4
TYCP315S-8-10	75	124.4	1000	96.4	0.95	716.2	83		WN90T-75G-4
TYCP315M-8-10	90	149.2	1000	96.5	0.95	859.5	83		WN90T-90G-4
TYCP315L1-8-10	110	182.7	1000	96.3	0.95	1050	83		WN90T-110G-4
TYCP315L2-8-10	132	219.2	1000	96.3	0.95	1260	83		WN90T-132G-4
TYCP315L3-8-10	160	265.7	1000	96.3	0.95	1528	83		WN90T-160G-4
TYCP315L4-8-10	185	307.2	1000	96.3	0.95	1767	83		WN90T-185G-4
TYCP355M1-8-10	160	265.7	1000	96.3	0.95	1528	85		WN90T-160G-4
TYCP355M-8-10	185	307.2	1000	96.3	0.95	1767	85		WN90T-185G-4
TYCP355M2-8-10	200	331.8	1000	96.4	0.95	1910	85		WN90T-200G-4
TYCP355L1-8-10	220	365.0	1000	96.4	0.95	2101	85		WN90T-220G-4
TYCP355L-8-10	250	414.8	1000	96.4	0.95	2387	85		WN90T-250G-4
TYCP355L2-8-10	280	464.6	1000	96.4	0.95	2674	91		WN90T-280G-4
TYCP355L3-8-10	315	522.7	1000	96.4	0.95	3008	91		WN90T-315G-4
TYCP355L4-8-10	355	589.0	1000	96.4	0.95	3390	91		WN90T-350G-4

型号 Type	功率 kW	额定 电流 A	额定 转速 r/min	效率 Eff. %	功率 因数 P.F	额定 转矩 N.m	噪声 dB (A)	冷却 方式 Cooling	适配变频器 Inverter
同步转速 750 r/min 额定频率 50Hz									
TYCP90L-8-7.5	0.55	1.11	750	78.9	0.95	7.00	56	IC411	WN90T-0.4G-4
TYCP100L-8-7.5	0.75	1.43	750	83.6	0.95	9.55	59		WN90T-0.7G-4
TYCP100L2-8-7.5	1.1	2.06	750	85.2	0.95	14.01	59		WN90T-0.7G-4
TYCP112M-8-7.5	1.5	2.77	750	86.7	0.95	19.10	61		WN90T-1.5G-4
TYCP132S-8-7.5	2.2	3.91	750	90	0.95	28.01	64		WN90T-2.2G-4
TYCP132M-8-7.5	3	5.27	750	91	0.95	38.20	64		WN90T-3.7G-4
TYCP160M1-8-7.5	4	6.97	750	91.8	0.95	50.93	68		WN90T-3.7G-4
TYCP160M2-8-7.5	5.5	9.50	750	92.6	0.95	70.03	68		WN90T-5.5G-4
TYCP160L-8-7.5	7.5	12.87	750	93.2	0.95	95.49	68		WN90T-7.5G-4
TYCP180L-8-7.5	11	18.78	750	93.7	0.95	140.1	70		WN90T-11G-4
TYCP200L-8-7.5	15	25.47	750	94.2	0.95	191.0	73		WN90T-15G-4
TYCP225S-8-7.5	18.5	31.28	750	94.6	0.95	235.5	73		WN90T-18.5G-4
TYCP225M-8-7.5	22	37.08	750	94.9	0.95	280.1	73		WN90T-22G-4
TYCP250M-8-7.5	30	50.45	750	95.1	0.95	382.0	75		WN90T-30G-4
TYCP280S-8-7.5	37	62.09	750	95.3	0.95	471.1	76		WN90T-37G-4
TYCP280M-8-7.5	45	75.36	750	95.5	0.95	573.0	76		WN90T-45G-4
TYCP315S-8-7.5	55	92.01	750	95.6	0.95	700.3	82		WN90T-55G-4
TYCP315M-8-7.5	75	125.3	750	95.7	0.95	954.9	82		WN90T-75G-4
TYCP315L1-8-7.5	90	150.4	750	95.7	0.95	1146	82		WN90T-90G-4
TYCP315L2-8-7.5	110	183.8	750	95.7	0.95	1401	82		WN90T-110G-4
TYCP355M1-8-7.5	132	220.4	750	95.8	0.95	1681	90	WN90T-132G-4	
TYCP355M2-8-7.5	160	267.1	750	95.8	0.95	2037	90	WN90T-160G-4	
TYCP355L1-8-7.5	185	308.8	750	95.8	0.95	2355	90	WN90T-185G-4	
TYCP355L-8-7.5	200	333.9	750	95.8	0.95	2546	90	WN90T-200G-4	
TYCP355L2-8-7.5	220	367.3	750	95.8	0.95	2801	90	WN90T-220G-4	
TYCP355L3-8-7.5	250	417.4	750	95.8	0.95	3183	90	WN90T-250G-4	
同步转速 600 r/min 额定频率 40Hz									
TYCP315S-8-6	45	75.36	600	95.5	0.95	716.2	90	IC411	WN90T-45G-4
TYCP315M-8-6	55	92.01	600	95.6	0.95	875.4	90		WN90T-55G-4
TYCP315L1-8-6	75	125.3	600	95.7	0.95	1193.7	90		WN90T-75G-4
TYCP315L2-8-6	90	150.4	600	95.7	0.95	1432.4	90		WN90T-90G-4
TYCP355M1-8-6	110	183.8	600	95.7	0.95	1750.7	90		WN90T-110G-4
TYCP355M2-8-6	132	220.3	600	95.8	0.95	2100.8	90		WN90T-132G-4
TYCP355L1-8-6	160	267.1	600	95.8	0.95	2546.5	90		WN90T-160G-4
TYCP355L-8-6	185	308.8	600	95.8	0.95	2944.4	90		WN90T-185G-4
TYCP355L2-8-6	200	333.8	600	95.8	0.95	3183.1	90		WN90T-200G-4
TYCP355L3-8-6	220	367.2	600	95.8	0.95	3501.4	90		WN90T-220G-4
同步转速 500 r/min 额定频率 33.33Hz									
TYCP355M1-8-5	55	93.08	500	94.5	0.95	1050.4	90	IC411	WN90T-55G-4
TYCP355M2-8-5	75	126.6	500	94.7	0.95	1432.4	90		WN90T-75G-4
TYCP355L1-8-5	90	151.9	500	94.7	0.95	1718.9	90		WN90T-90G-4
TYCP355L-8-5	110	185.7	500	94.7	0.95	2100.8	90		WN90T-110G-4
TYCP355L2-8-5	132	222.9	500	94.7	0.95	2521.0	90		WN90T-132G-4

# 外形与安装尺寸 Dimensions

(单位: mm)

B3 (机座带底脚、端盖无凸缘)  
冷却方式IC411



接线盒位置: 侧式 (默认)

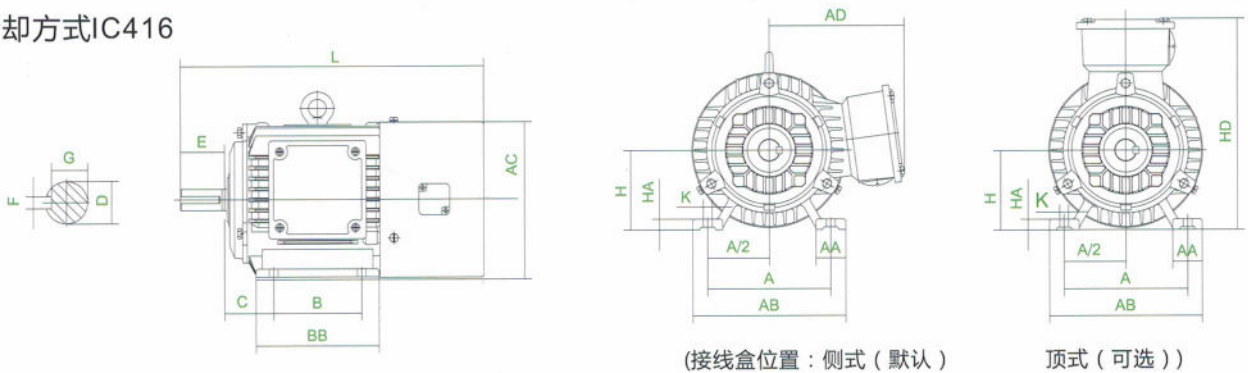
顶式 (可选)

机座号 Frame	转速 Speed	安装尺寸 Mounting Dimension									外形尺寸 Overall Dimension							
		A	B	C	D	E	F	G	H	K	AA	BB	HA	AB	AC	AD	HD	L
80M	3000	125	100	50	19	40	6	15.5	80	10	32	135	10	160	165	145	225	295
90S	1500	140	100	56	24	50	8	20	90	10	34	145	12	180	180	165	255	320
90L	1000		170									345						
100L	750	160	140	63	28	60	8	24	100	12	39	186	14	200	205	175	275	390
112M	3000	190	140	70	28	60	8	24	112	12	45	200	14	230	225	190	300	425
132S	1500	216	140	89	38	80	10	33	132	12	55	190	18	265	270	220	350	475
132M	1000		230									510						
160M	750	254	210	108	42	110	12	37	160	15	65	260	20	315	320	260	420	610
160L	3000		304									655						
180M	1500	279	241	121	48	110	14	42.5	180	15	70	311	22	355	360	265	445	680
180L	1000		349									715						
200L	750	318	305	133	55	110	16	49	200	19	74	379	26	395	400	305	505	770
225S	1500	356	286	149	60	140	18	53	225	19	78	375	28	435	450	325	550	795
225M	3000		55		110	16	49	400				800						
	1500		60		140	18	53	825										
250M	1500	406	349	168	65	140	18	58	250	24	80	445	30	490	510	380	630	890
280S	1000	457	368	190	75	140	20	67.5	280	24	90	485	35	545	550	395	675	970
280M	750		419		75	20	67.5	536				1025						
315S	1500	508	406	216	80	170	22	71	315	28	120	570	45	635	630	540	855	1210
315M	1000		457		80	170	22	71				610						1245
315L	750		508		80	170	22	71				680						1320
355M	1500	610	560	254	95	170	25	86	355	28	130	690	52	735	715	645	1000	1420
355L/L1	1000		95		170	25	86	750				1530						
355L2/L3	750		630		110	210	28	100				1570						
	600																	
	500																	

# 外形与安装尺寸 Dimensions

(单位: mm)

冷却方式IC416

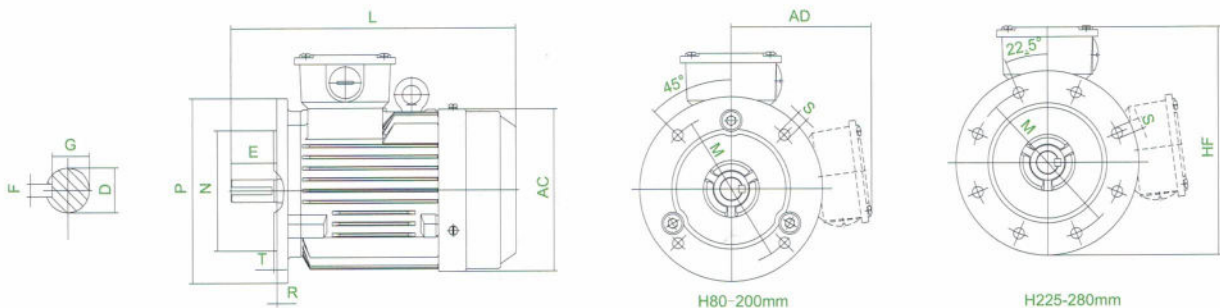


(接线盒位置: 侧式 (默认))

顶式 (可选))

机座号 Frame	转速 Speed	安装尺寸 Mounting Dimension							外形尺寸 Overall Dimension										
		A	B	C	D	E	F	G	H	K	AA	BB	HA	AB	AC	AD	HD	L	
250M	3000	406	349	168	60	140	18	53	250	24	80	445	30	490	510	380	630	1005	
280S	3000	457	368	190	65	140	18	58	280	24	90	485	35	545	550	395	675	1080	
280M	3000		419		65							536							1135
315S	3000	508	406	216	65	140	18	58	315	28	120	570	45	635	630	540	855	1285	
315M	3000		457		65							610							1320
315L	3000	508	508	216	65	140	18	58	315	28	120	680	45	635	630	540	855	1395	
355M	3000	610	560	254	75	140	20	67.5	355	28	130	690	52	735	715	645	1000	1500	
355L/L1	3000		630		75							67.5						750	1610
355L2/L3	3000		80		170							22						71	1640

B5(机座不带底脚、端盖有凸缘)  
冷却方式IC411



H80-200mm

H225-280mm

机座号 Frame	转速 Speed	安装尺寸 Mounting Dimension										外形尺寸 Overall Dimension			
		D	E	F	G	M	N	P	R	S	T	AC	AD	HD	L
80M	3000	19	40	6	15.5	165	130	200	0	4-Φ12	3.5	165	145	245	295
90S	1500	24	50	8	20	165	130	200	0	4-Φ12	3.5	180	165	265	320
90L	1000														345
100L	750	28	60	8	24	215	180	250	0	4-Φ15	4	205	175	300	390
112M	3000	28	60	8	24	215	180	250	0	4-Φ15	4	225	190	315	425
132S	1500	38	80	10	33	265	230	300	0	4-Φ15	4	270	220	370	475
132M	1000														510
	750														

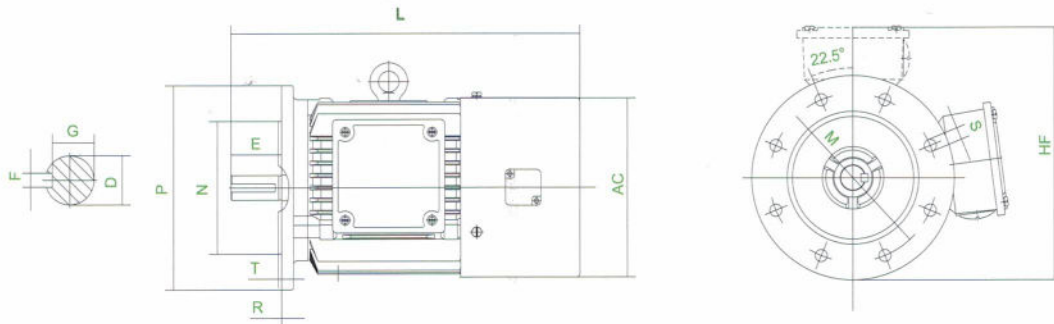
# 外形及安装尺寸

## Dimensions

(单位: mm)

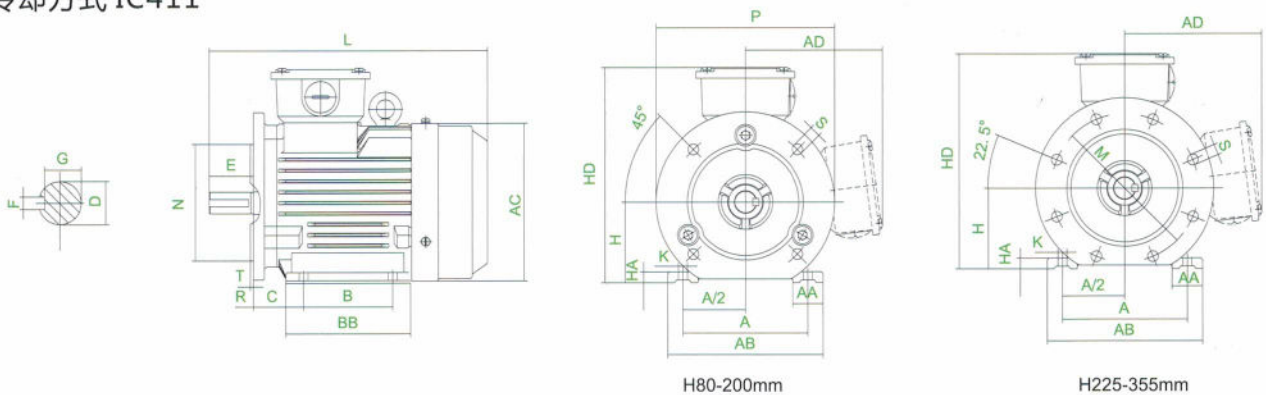
机座号 Frame	转速 Speed	安装尺寸 Mounting Dimension										外形尺寸 Overall Dimension												
		D	E	F	G	M	N	P	R	S	T	AC	AD	HD	L									
160M	3000	42	110	12	37	300	250	350	0	4-Φ19	5	320	260	435	610									
160L															655									
180M	1500	48	110	14	42.5	300	250	350	0	4-Φ19	5	360	265	440	680									
180L	715																							
200L	750														770									
225S	750 1500	60	140	18	53	400	350	450	0	8-Φ19	5	450	325	550	795									
225M	3000														800									
250M	1500	65	140	18	53	500	450	550	0	8-Φ19	5	510	380	655	825									
	280S	1000		75	18										58	890								
280M	750	75		20	67.5										500	450	550	0	8-Φ19	5	550	395	670	975
		75		20	67.5										500	450	550	0	8-Φ19	5	550	395	670	1025

冷却方式IC416



机座号 Frame	转速 Speed	安装尺寸 Mounting Dimension										外形尺寸 Overall Dimension			
		D	E	F	G	M	N	P	R	S	T	AC	AD	HD	L
250M	3000	60	140	18	53	500	450	550	0	8-Φ19	5	510	380	655	1005
280S	3000	65	140	18	58	500	450	550	0	8-Φ19	5	550	395	670	1080
280M	3000	65		18	58										

B35(机座带底脚、端盖有凸缘)  
冷却方式IC411



## 外形及安装尺寸 Dimensions

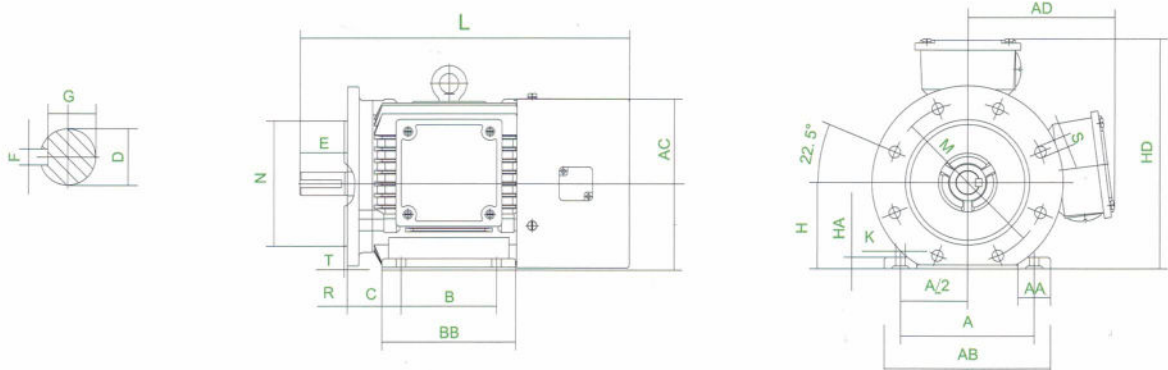
(单位: mm)

机座号 Frame	转速 Speed	安装尺寸 Mounting Dimension															外形尺寸 Overall Dimension								
		A	B	C	D	E	F	G	H	M	N	P	K	R	S	T	AA	BB	HA	AB	AC	AD	HD	L	
80M	3000	125	100	50	19	40	6	15.5	80	10	165	130	200	0	4-Φ12	3.5	32	135	10	160	165	145	225	295	
90S	1500	140	100	56	24	50	8	20	90	10	165	130	200	0	4-Φ12	3.5	34	145	12	180	180	165	255	320	
90L	1000		125															170						345	
100L	750	160	140	63	28	60	8	24	100	12	215	180	250	0	4-Φ15	4	39	186	14	200	205	175	275	390	
112M	3000	190	140	70	28	60	8	24	112	12	215	180	250	0	4-Φ15	4	45	200	14	230	225	190	300	425	
132S	1500	216	140	89	38	80	10	33	132	12	265	230	300	0	4-Φ15	4	55	190	18	265	270	220	350	475	
132M	1000		178															230						510	
160M	3000	254	210	108	42	110	12	37	160	15	300	250	350	0	4-Φ19	5	65	260	20	315	320	260	420	610	
160L			254															304						655	
180M		1500	279	241	121	48	110	14	42.5	180	15	300	250	350	0	4-Φ19	5	70	311	22	355	360	265	445	680
180L		1000		279															349						715
200L		750	318	305	133	55	110	16	49	200	19	350	300	400	0	4-Φ19	5	74	379	26	395	400	305	505	770
225S	750	356	286	149	60	140	18	53	225	19	400	350	450	0	8-Φ19	5	78	375	28	435	450	325	550	795	
225M	1500		311		55	110	16	49										800							
	3000		60		140	18	53	825																	
250M	1500	406	349	168	65	140	18	58	250	24	500	450	550	0	8-Φ19	5	80	445	30	490	510	380	630	890	
280S	1000	457	368	190	75	140	20	67.5	280	24	500	450	550	0	8-Φ19	5	90	485	35	545	550	395	675	975	
280M	750		419		75	20	67.5	1025																	
315S	1500	508	406	216	80	170	22	71	315	28	600	550	660	0	8-Φ24	6	120	570	45	635	630	540	855	1210	
315M	1000	508	457		80	170	22	71	315	28	600	550	660	0	8-Φ24	6	120	610	45	635	630	540	855	1245	
315L	750		508		680	1320																			
355M	1500	610	560	254	95	170	25	86	355	28	740	680	800	0	8-Φ24	6	130	690	52	735	715	645	1000	1420	
355L/L1	1000		630		95	170	25	86										1530							
355L2/L3	750		110		210	28	100	1570																	

## 外形与安装尺寸 Dimensions

(单位: mm)

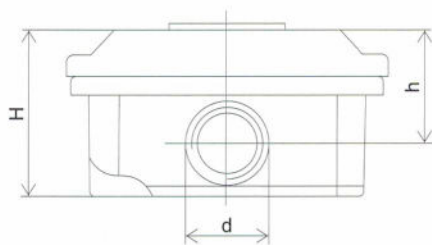
冷却方式 IC416



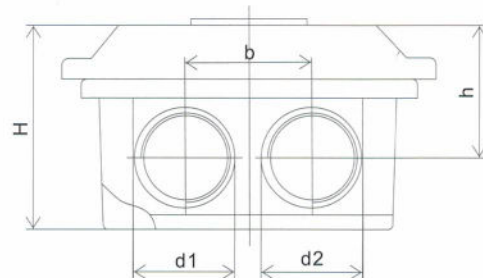
机座号 Frame	转速 Speed	安装尺寸 Mounting Dimension														外形尺寸 Overall Dimension								
		A	B	C	D	E	F	G	H	M	N	P	K	R	S	T	AA	BB	HA	AB	AC	AD	HD	L
250M	3000	406	349	168	60	140		53	250	24	500	450	550	0	8-Φ19	5	80	445	30	490	510	380	630	1005
280S	3000	457	368	190	65	140	18	58	280	24	500	450	550	0	8-Φ19	5	90	485	35	545	550	395	675	1080
280M	3000		419		65													536						
315S	3000	508	406	216	65	140			315	28	600	550	660	0	8-Φ24	6	120	570	45	635	630	540	855	1285
315M	3000	508	457		65	140	18	58	315	28	600	550	660	0	8-Φ24	6	120	610	45	635	630	540	855	1320
315L	3000		508		65	140	18	58										680						
355M	3000	610	560	254	75	140	20	67.5	355	28	740	680	800	0	8-Φ24	6	130	690	52	735	715	645	1000	1500
355L/L1	3000		630		75	140	20	67.5										750						
355L2/L3	3000				80	170	22	71																1640

## 接线盒外形及尺寸 Terminal box dimensions

(单位: mm)



H80-100mm



H112-355mm

机座号	H	h	d	d1	d2	b	出线口规格
H80mm	55	37	∅28	/	/	/	M24X1.5
H90-100mm	56	38	∅28	/	/	/	M24X1.5
H112-132mm	68	44	/	∅34	∅34	43	2-M30X2
H160-180mm	83	53	/	∅40	∅40	60	2-M36X2
H200-225mm	105	65	/	∅52	∅52	78	2-M48X2
H250-280mm	121	73.5	/	∅69	∅69	90	2-M64X2
H315mm	170	105	/	∅72	∅72	120	2-M64X2
H355m	180	110	/	∅80	∅80	130	2-M72X2

常用的安装结构型式，以及适用的机座号见下表

Conventional mounting type and suitable frame size are given in following table (with "√" )

机座号 Frame	基本安装结构 basic type			派生的安装形式 derived type														
	B3	B5	B35	V1	V3	V5	V6	B6	B7	B8	V15	V17	V35	V37	B14	B34	V18	
80~112	√	√	√	√	√	√	√	√	√	√	√	√	√	√	√	√	√	√
132~160	√	√	√	√	√	√	√	√	√	√	√	√	√	√	-	-	-	-
180~280	√	√	√	√	-	-	-	-	-	-	-	-	-	-	-	-	-	-
315~355	√	-	√	√	-	-	-	-	-	-	-	-	-	-	-	-	-	-

注：“√”表示可以制造生产的结构型式。电机订购时若不作说明，默认接线盒为侧式右出线。以上数据，如有变更，恕不另行通知。  
Without request specified in order or agreement terminal box position is standard at the right side of frame seen from DE view. Data above may be changed without prior notice.

## WN90T永磁同步电机专用变频器

WN90T Inverter special for Permanent Magnet Synchronous Motor

### 产品概述 Product profile



WN90T — 0.4G — 4

输入电源 4 : 380V 2:220V

变频器容量 0.4 : 0.4kw

WN90T 系列永磁同步电机  
专用变频器

WN90T同步变频器是针对三相交流永磁同步电机闭环、开环矢量控制的专用变频器，以下为其使用参数说明。

WN90T SVC or FVC inverter is specially designed for permanent magnet synchronous motor, and its performance data see below chart.

**性能数据 Performance Data** 380V

项目名称		规格			
基本控制功能	控制方式	开环矢量控制 (SVC)、闭环矢量控制 (FVC)			
	输出频率	0~600Hz			
	载波频率	0.5kHz~16kHz (可根据负载特性, 自动调整载波频率)			
	输入频率分辨率	数字设定: 0.01Hz 模拟设定: 最高频率×0.025%			
	启动转矩	0.5Hz/150% (SVC)、0Hz/180% (FVC)			
	调速范围	1:200 (SVC)、1:1000 (FVC)			
	稳速精度	±0.5% (SVC)、±0.02% (FVC)			
	过载能力	150%额定电流60s; 180%额定电流3s			
变频器型号	输入电压	额定输出功率 (kW)	额定输入电流 (A)	额定输出电流 (A)	适配电机 (KW)
WN90T-0.4G-4	3PH AC380V±15%	0.4	1.9	1.2	0.4
WN90T-0.7G-4		0.75	3.8	2.5	0.75
WN90T-1.5G-4		1.5	5	3.7	1.5
WN90T-2.2G-4		2.2	5.8	5.0	2.2
WN90T-3.7G-4		3.7	10	9	3.7
WN90T-5.5G-4		5.5	15	13	5.5
WN90T-7.5G-4		7.5	20	17	7.5
WN90T-11G-4		11	26	25	11
WN90T-15G-4		15	35	32	15
WN90T-18.5G-4		18.5	38	37	18.5
WN90T-22G-4		22	46	45	22
WN90T-30G-4		30	62	60	30

**性能数据 Performance Data** 380V

变频器型号	输入电压	额定输出功率 (kW)	额定输入电流 (A)	额定输出电流 (A)	适配电机 (KW)
WN90T-37G-4	3PH AC380V±15%	37	76	75	37
WN90T-45G-4		45	92	90	45
WN90T-55G-4		55	113	110	55
WN90T-75G-4		75	157	150	75
WN90T-90G-4		90	180	176	90
WN90T-110G-4		110	210	210	110
WN90T-132G-4		132	256	253	132
WN90T-160G-4		160	307	300	160
WN90T-185G-4		185	355	340	185
WN90T-200G-4		200	385	380	200
WN90T-220G-4		220	430	420	220
WN90T-250G-4		250	475	470	250
WN90T-280G-4		280	525	520	280
WN90T-315G-4		315	610	600	315
WN90T-350G-4		350	665	640	350
WN90T-400G-4		400	700	690	400
WN90T-450G-4		450	800	790	450

## 外形与安装尺寸 Dimensions

(单位: mm)

SIZE	变频器型号	W	H	D	A	B	Ød	外形 Outline
A	WN90T-0.4G-4 WN90T-0.7G-4 WN90T-1.5G-4 WN90T-2.2G-4	72	142	127	130	61	4.5	
A	WN90T-3.7G-4 WN90T-5.5G-4	85	180	131	167	72	5.5	
B	WN90T-7.5G-4 WN90T-11G-4	106	240	168	230	96	4.5	
B	WN90T-15G-4 WN90T-18.5G-4 WN90T-22G-4	151	332	183	318	137	7	
B	WN90T-30G-4 WN90T-37G-4	217	400	216	385	202	7	

SIZE	变频器型号	W	H	H1	D	A	B	Ød	外形 Outline
C	WN90T-45G-4 WN90T-55G-4	300	440	470	240	200	455	9	
C	WN90T-75G-4 WN90T-90G-4 WN90T-110G-4	275	590	630	310	200	612	9	
C	WN90T-132G-4 WN90T-160G-4	400	675	715	310	320	695	11	

SIZE	变频器型号	外形尺寸				落地安装尺寸			壁挂安装尺寸				外形 Outline	
		W	H	H1	H2	D	a1	b1	d1	a2	A3	b2		d2
D	WN90T-185G-4 WN90T-200G-4 WN90T-220G-4	300	1445	1180	200	500	250	430	14	200	150	1135	13	
D	WN90T-250G-4	330	1595	1330	200	545	280	475	14	220	185	1275	13	
D	WN90T-280G-4 WN90T-315G-4	325	1495	1230	200	545	275	470	14	225	185	1175	14	
D	WN90T-350G-4 WN90T-400G-4 WN90T-450G-4	335	1720	1455	200	545	285	470	14	240	200	1380	14	